

# CN Series Double Pole Power Rocker Switches

## Features/Benefits

- Illuminated versions available
- Multiple actuator and termination styles
- Robust design
- Custom version upon request
- RoHS compliant



## Typical Applications

- Appliances
- Office equipment
- Computers and peripherals
- Off-road vehicles
- Industrial machines
- HVAC units
- Transportation



## Specifications

### CONTACT RATING:

UL/CSA: 16 AMPS @ 125 VAC, 1/8 HP;  
10 AMPS @ 250 VAC, 1/3 HP.

ELECTRICAL LIFE: 10,000 make and break cycles at full load.

INSULATION RESISTANCE:  $10^8 \Omega$  min.

DIELECTRIC STRENGTH: 1,500 VRMS @ sea level.

OPERATING TEMPERATURE: -20°C to +85°C

## Materials

HOUSING AND ACTUATOR: 6/6 nylon (UL94V-2), black, matte finish.

ILLUMINATED ACTUATOR: Polycarbonate, matte finish.

CENTER CONTACTS: Silver plated, copper alloy.

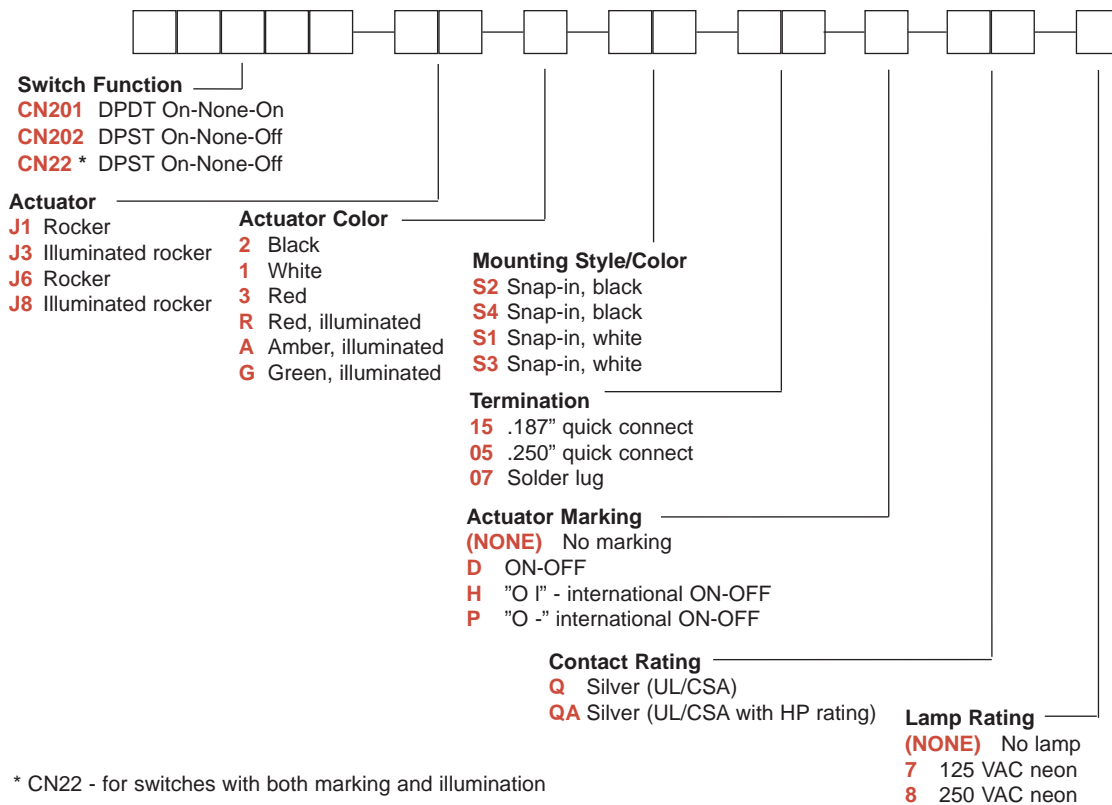
END CONTACTS: Silver plated  $AgSu_0_2In_0_3$ .

ALL TERMINALS: Silver plated, copper alloy.

Note: Specifications and materials listed above are for switches with standard options. For information on specific and custom switches, consult Customer Service Center.

## Build-A-Switch

To order, simply select desired option from each category and place in the appropriate box. Available options are shown and described on pages H-99 through H-101. For additional options not shown in catalog, consult Customer Service Center.



\* CN22 - for switches with both marking and illumination

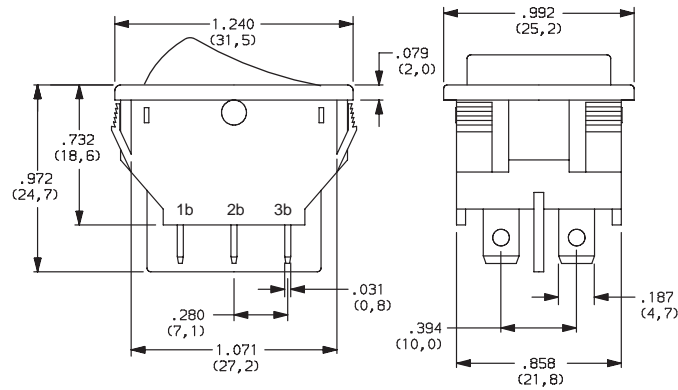


# CN Series Double Pole Power Rocker Switches

## SWITCH FUNCTION

NO. POLES	MODEL NO.	SWITCH FUNCTION			CONNECTED TERMINALS			SCHEMATIC	
		Pos. 1	Pos. 2	Pos. 3	Pos. 1	Pos. 2	Pos. 3		
		C&K marking on opposite side			C&K marking on opposite side				
DP	<b>CN201</b>	ON	NONE	ON	2-1 4-5	N/A	2-3 6-5		
	<b>CN202</b>	ON	NONE	OFF				OPEN	
	<b>CN22 *</b>	ON	NONE	OFF					 For Illuminated Version

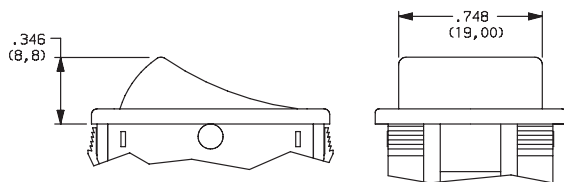
\* CN22 - for switches with both marking and illumination



Shown in Pos. 1

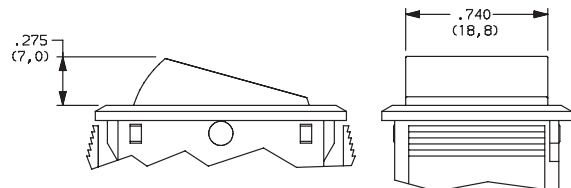
## ACTUATOR

- J1** ROCKER
- J3** ILLUMINATED ROCKER

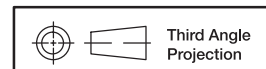


**NOTE:** J1 & J3 actuators available with Q contact rating only.  
J3 actuator available with CN202 & CN22 switch function only.

- J6** ROCKER
- J8** ILLUMINATED ROCKER



**NOTE:** J6 & J8 actuators available with QA contact rating only.  
J6 actuator available with CN201 & CN202 switch functions,  
J8 actuator available with CN202 & CN22 switch function only.



Dimensions are shown: Inch (mm)  
Specifications and dimensions subject to change



Rocker



H

# CN Series Double Pole Power Rocker Switches

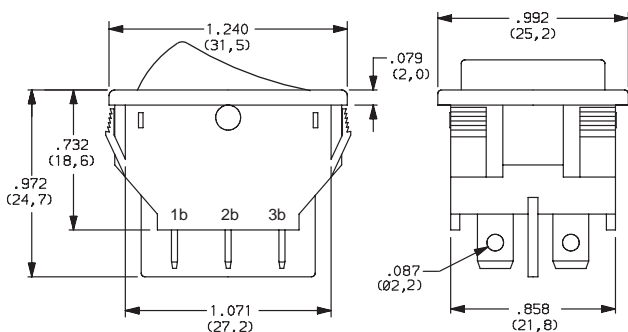
## ACTUATOR COLOR

OPTION CODE	ACTUATOR COLOR
<b>2</b>	BLACK
<b>1</b>	WHITE
<b>3</b>	RED
<b>R</b>	RED, ILLUMINATED
<b>A</b>	AMBER, ILLUMINATED
<b>G</b>	GREEN, ILLUMINATED

## MOUNTING STYLE/COLOR

**S2** SNAP-IN, BLACK

**S1** SNAP-IN, WHITE

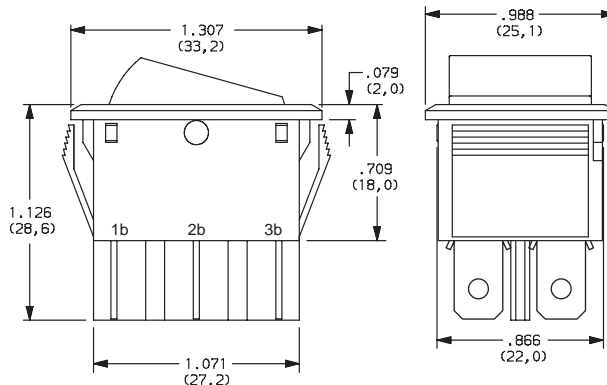


**NOTE:** Available with 15 termination and Q contact rating only.

Shown in Pos. 1

**S4** SNAP-IN, BLACK

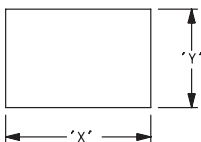
**S3** SNAP-IN, WHITE



**NOTE:** Available with 05 termination and QA contact rating only.

Shown in Pos. 1

### PANEL MOUNTING

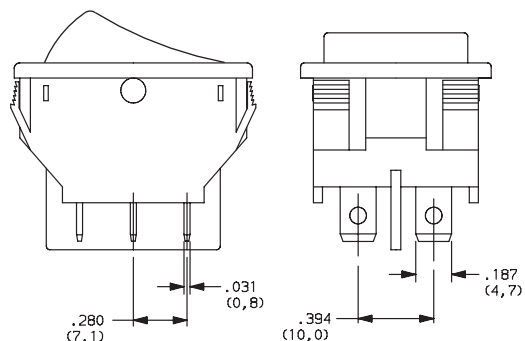


PANEL THICKNESS	"X"	"Y"
0.030-0.049 (0.75-1.25)	1.190-.004 (30.2-0.1)	0.874+.004 (22.2+0.1)
0.049-0.079 (1.25-2.0)	1.197-.004 (30.4-0.1)	0.874+.004 (22.2+0.1)
0.079-0.118 (2.0-3.0)	1.213-.004 (30.8-0.1)	0.874+.004 (22.2+0.1)

## TERMINATION

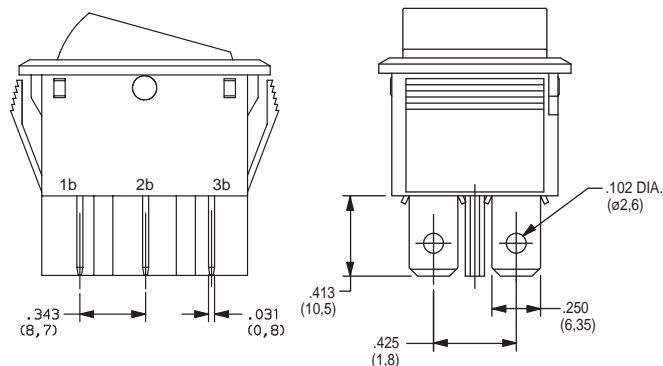
**15** .187" QUICK CONNECT

**05** .250" QUICK CONNECT



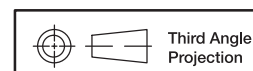
**NOTE:** Available with S1 & S2 mounting style and Q contact rating only.

Shown in Pos. 1



**NOTE:** Available with S3 & S4 mounting styles and QA contact rating, CN201 & CN202 switch functions only.

Shown in Pos. 1



Dimensions are shown: Inch (mm)  
Specifications and dimensions subject to change

Rocker



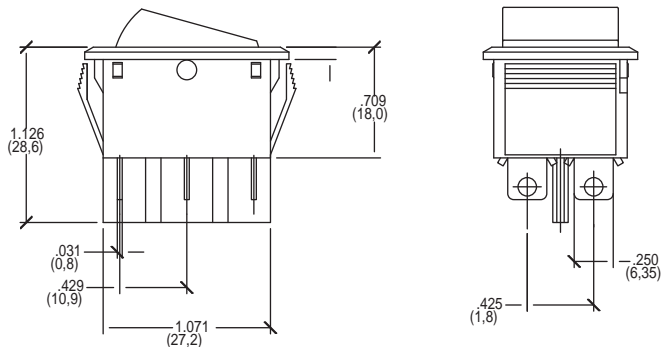
H

**C&K**

# CN Series Double Pole Power Rocker Switches

## TERMINATION

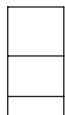
### 07 SOLDER LUG



Shown in Pos. 1

## ACTUATOR MARKING

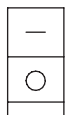
### NONE NO MARKING



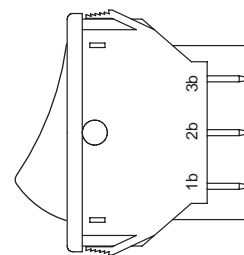
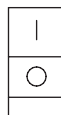
### D ON-OFF



### H O I



### P O -



NOTE: Orientation of actuator marking and terminals.

Shown in Pos. 1

## CONTACT MATERIAL

OPTION CODE	CONTACT AND TERMINAL MATERIAL	RATINGS	
Q	SILVER	POWER	16 AMPS @ 125 VAC; 10 AMPS @ 250 VAC (UL/CSA)
QA*			16 AMPS @ 125 VAC, 1/8 HP @ 125 VAC; 10 AMPS @ 250 VAC, 1/3 HP @ 250 VAC (UL/CSA)

\* Not available with CN203, CN205 & CN207 switch functions.

\* Note: See Technical Data section of this catalog for RoHS compliant and compatible definitions and specifications.

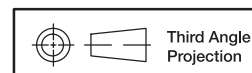
## LAMP RATING

### (NONE) NO LAMP

7 125 VAC 33kΩ NEON

8 250 VAC 150kΩ NEON

NOTE: Lamp rating for J3 & J8 actuator options.



Dimensions are shown: Inch (mm)  
Specifications and dimensions subject to change